



Pictured machine may include options and additional equipment.

Features

The Normet Minimec mechanized concrete spraying manipulator is especially designed for smaller-scale sprayed concrete works. It is the recommended solution for mechanized spraying in escalator and tunnel shafts, small diameter tunnels or in places where access is unavailable to larger machinery.

The telescopic boom is mounted on a crawler carrier of which both rugged rubber tracks can be operated independently. This enables the Minimec to be turned around easily, even where there is little room for maneuvering. The support legs can be lowered hydraulically ensuring stability in all kind of ground conditions. Additional foot blocks are included for even better stability in soft grounds and slopes. Lifting points allows easy and safe hoisting of the Minimec.

The carrier track motors and support legs are driven by a 11.5 kW diesel engine. The track motors are equipped with spring applied brakes which are activated whenever the operator releases the controls, for added safety. The spray boom is operated by an electro-hydraulic power pack providing 7.5 kW of power to the load sensing hydraulic system and proportional boom control valve. The boom is controlled by a two joystick wireless remote control system. Each boom movement speed can be adjusted individually by using the remote control and control unit switches.

With a telescopic boom, the Minimec can cover up to 8.0 meters in height and 6.4 meters in width with a spraying distance of 1.5 meters. With the automatic nozzle oscillator selected, the spray pattern is wider and more refined. Powerful LED working lights at different locations on the machine assures high visibility without the need for additional floodlights.

The Minimec is CE-certified meeting all industry requirements and compliant with safety regulations.

Normet reserves the right to change this specification without further notice.

Technical specification

SPRAY BOOM

Telescopic boom extension 2100 mm
Nozzle rotation 360°
Nozzle tilt 180°
Automatic nozzle oscillator
Boom rotation 110°
Boom coverage:

- Lateral 6400 mm (with spraying distance 1500 mm)
- Vertical 8000 mm (with spraying distance 1500 mm)

CONCRETE LINE

Concrete hose diameter 65 mm
Hose length 5 m
Hose equipped with anti-kink spring
Necessary clamps and gaskets

ACCELERATOR AND AIR LINE

Boom air line 1 1/4"
Boom accelerator line 3/4"
Connection block with quick connectors
Shut-off and bleed valves

BOOM CONTROL SYSTEM

Two joystick radio remote control for Spray Boom
Control functions:

- Boom movements
- Nozzle head movements
- Nozzle oscillator on/off

Adjustable movement speeds
Back-up cable for radio remote

BOOM HYDRAULIC SYSTEM

Electro-hydraulic power pack 7.5 kW / 50Hz / 1450 rpm
Variable displacement pump:

- 190 bar, 45 L/min
- Hydraulic oil tank capacity 55 L

Proportional boom control valve

HIGH VOLTAGE ELECTRICAL SYSTEM

400 V / 50 Hz

LOW VOLTAGE ELECTRICAL SYSTEM

24 V LED working lights
12 V LED driving and parking lights
Signal horn
Warning signal for carrier movements
Battery charger for remote control

CARRIER

Engine Lombardini 25 LD 425/2 11.5 kW /15 HP
Battery
Electric starter
Fuel tank 5.5 L
Hydraulic system

- 175 bar, 36 L / min
- Hydraulic oil tank capacity 30 L

Two hydraulic joysticks for tracks and support legs
Hydraulic drive hub motors
Spring applied brakes
Hydraulic support legs
Two rubber tracks (surface contact 200 x 1300 mm)

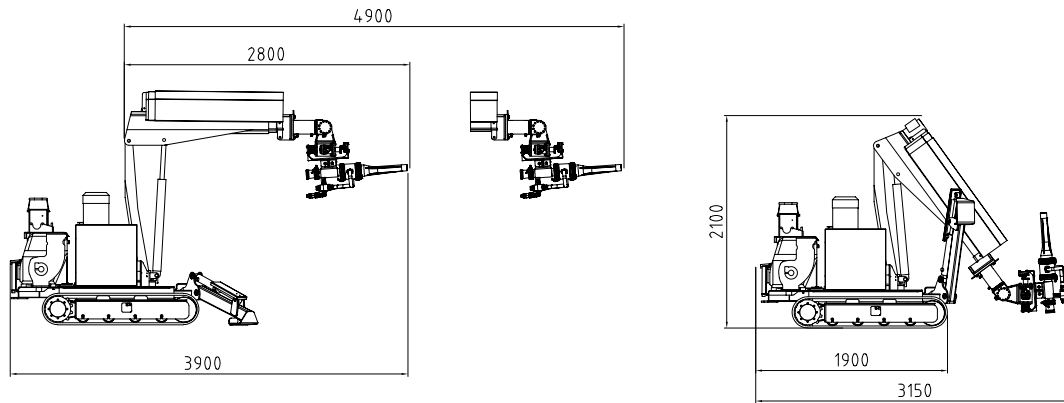
PERFORMANCE

Tramming speed (on flat) 4.5 km / h
Max tramming incline 20°
Max tramming incline (sideways) 10°
Max working incline 10°

OTHER

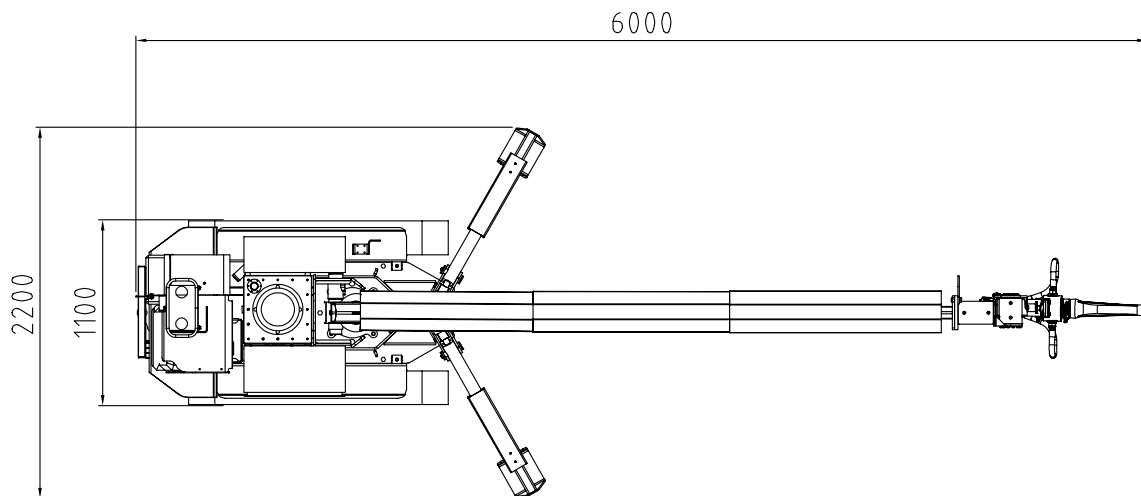
6kg hand-held fire extinguisher
Support leg feet extension blocks

Dimensions



SIDE VIEW

Operational and transportation dimensions



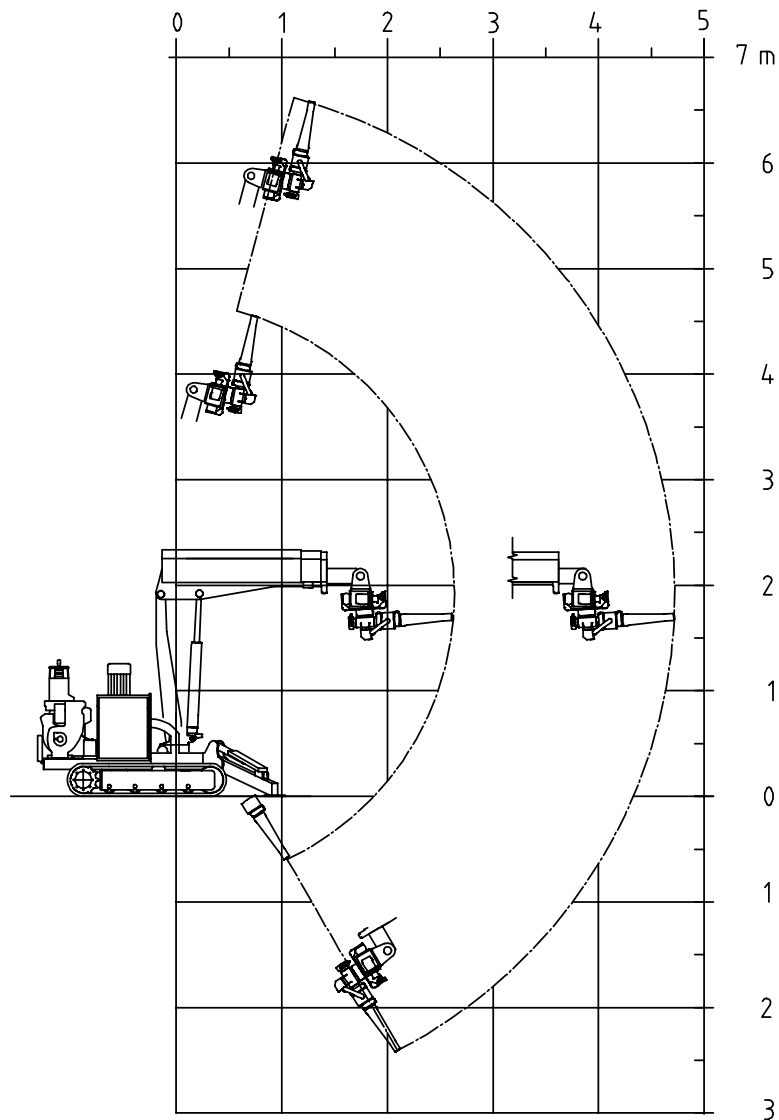
TOP VIEW

DIMENSIONS

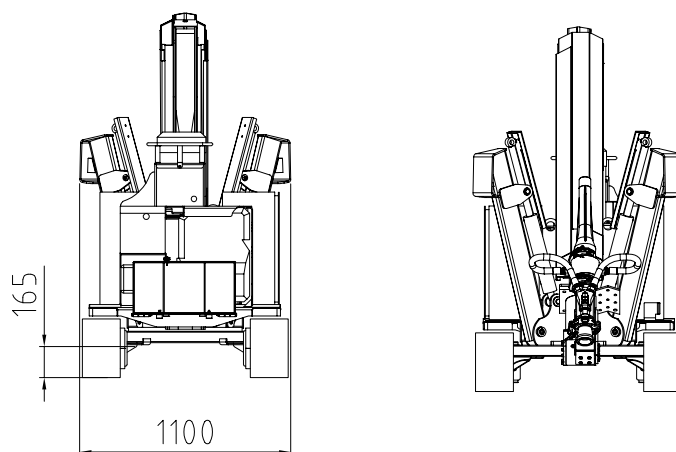
Length	3150 mm
Width	1100 mm
Width (support legs extended)	2200 mm
Height	2100 mm
Ground clearance	165 mm
Weight	1720 kg

Normet reserves the right to change this specification without further notice.

Dimensions



BOOM COVERAGE



BACK / FRONT VIEWS

Normet reserves the right to change this specification without further notice.